

# PLURIJET 60-80-100

## Self-priming multi-stage pumps

-  Clean water
-  Domestic use
-  Civil use



### PERFORMANCE RANGE

- Flow rate up to **130 l/min** (7.8 m<sup>3</sup>/h)
- Head up to **52 m**

### APPLICATION LIMITS

- Manometric suction lift up to **9 m** (HS)
- Liquid temperature between **-10 °C** and **+40 °C**
- Ambient temperature up to **+40 °C**
- Max. working pressure **6 bar**
- Continuous service **S1**

### CONSTRUCTION AND SAFETY STANDARDS

EN 60335-1  
IEC 60335-1  
CEI 61-150

EN 60034-1  
IEC 60034-1  
CEI 2-3



### CERTIFICATIONS

Company with management system certified DNV  
ISO 9001: QUALITY  
ISO 14001: ENVIRONMENT AND SAFETY



### INSTALLATION AND USE

The self-priming **PLURIJET** pumps are recommended for pumping clean water even in cases where air is present and for liquids which are not chemically aggressive towards the materials from which the pump is made.

Because of their silence, reliability and low energy consumption they are recommended for domestic and civil applications, in particular for pressurising and distributing water in combination with pressure tanks, for the recovery of rain water, for irrigation systems, etc.

The pump should be installed in an enclosed environment or sheltered from inclement weather.

### PATENTS - TRADE MARKS - MODELS

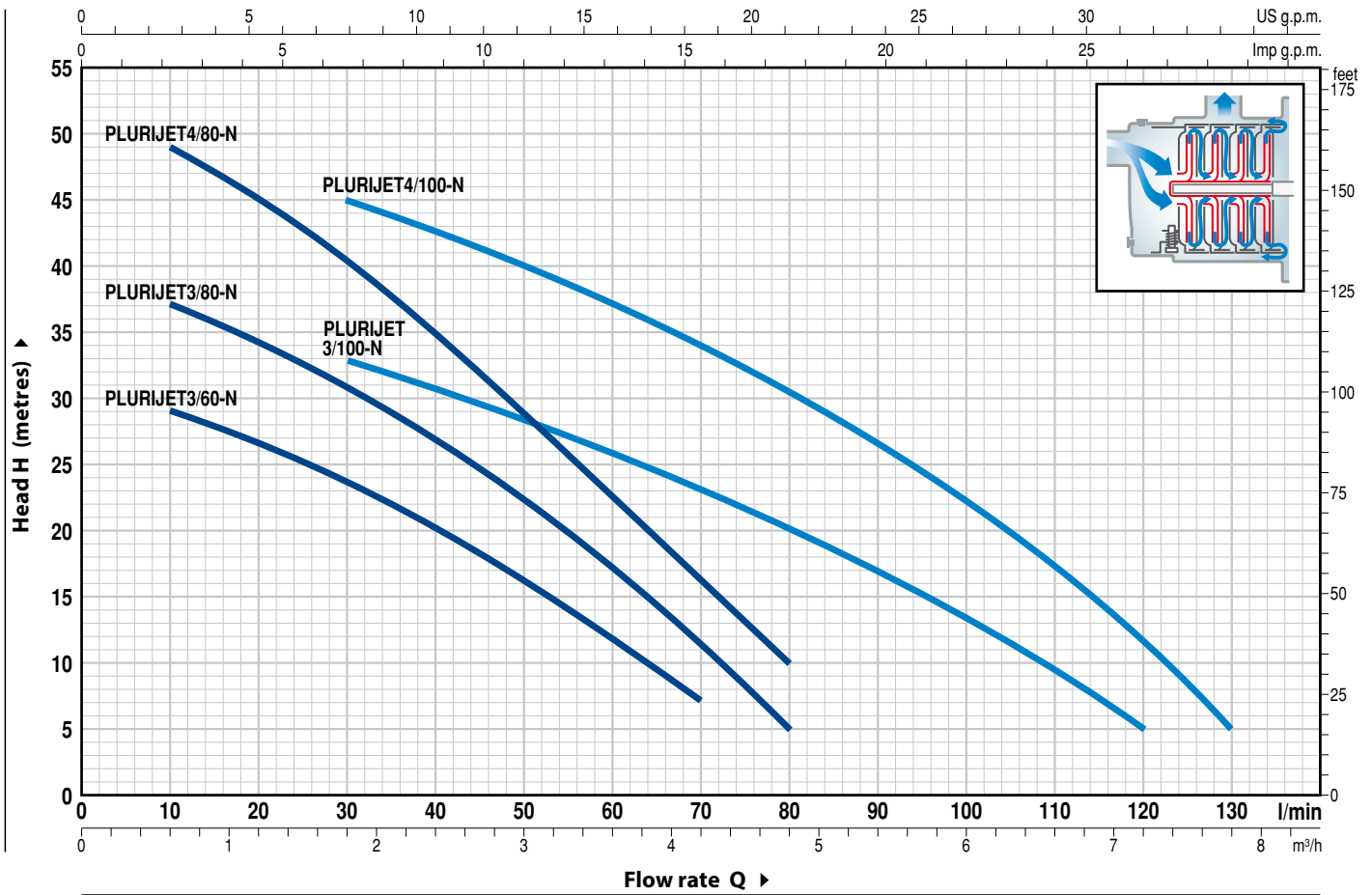
- Registered Trade Mark n. 3974301 PLURIJET®

### OPTIONS AVAILABLE ON REQUEST

- Other voltages or 60 Hz frequency

### CHARACTERISTIC CURVES AND PERFORMANCE DATA

50 Hz n= 2900 rpm HS= 0 m

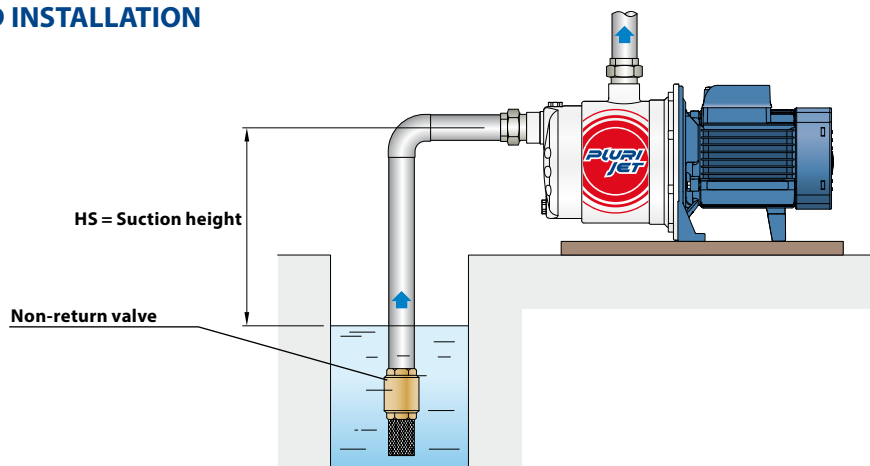


MODEL		POWER (P <sub>2</sub> )		Q	Flow rate																
Single-phase	Three-phase	kW	HP		m <sup>3</sup> /h	0	0.3	0.6	1.2	1.8	2.4	3.0	3.6	4.2	4.8	5.4	6.0	6.6	7.2	7.8	
				l/min	0	5	10	20	30	40	50	60	70	80	90	100	110	120	130		
PLURIJETm 3/60 -N	PLURIJET 3/60 -N	0.37	0.50	H metres	31	30	29	26.5	23.5	20	16	11.5	7								
PLURIJETm 3/80 -N	PLURIJET 3/80 -N	0.48	0.65		40	38	37	34.5	31	27	22.5	17	11	5							
PLURIJETm 4/80 -N	PLURIJET 4/80 -N	0.55	0.75		52	50	49	44.5	40	34	28.5	22.5	16	10							
PLURIJETm 3/100-N	PLURIJET 3/100-N	0.55	0.75		38	37	36	34.5	33	31	28	26	23	20	17	13.5	10	5			
PLURIJETm 4/100-N	PLURIJET 4/100-N	0.75	1		50	50	49	47	45	42	39.5	37	34	30.5	26.5	22	17	11	5		

Q = Flow rate H = Total manometric head HS = Suction height

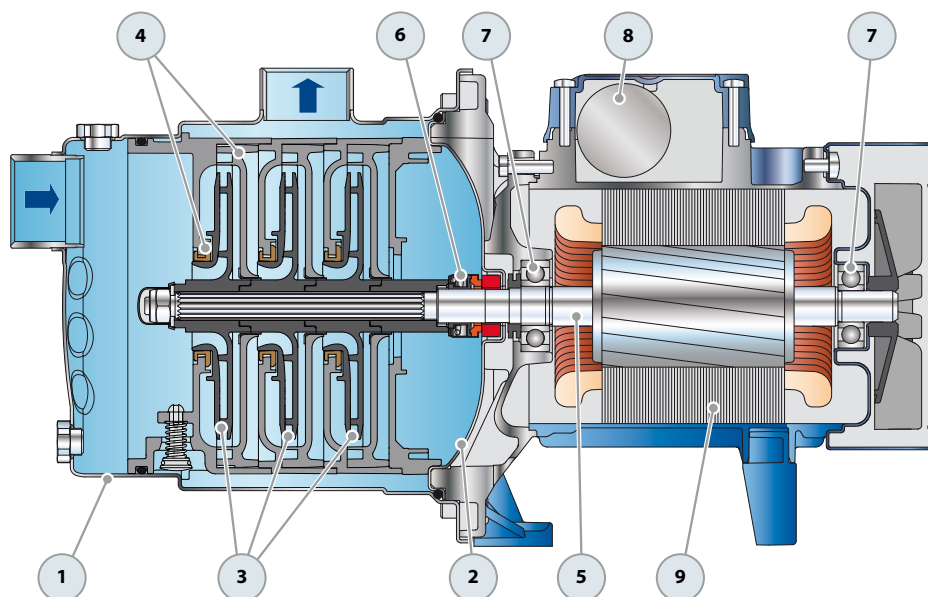
Tolerance of characteristic curves in compliance with EN ISO 9906 Grade 3B.

### STANDARD INSTALLATION

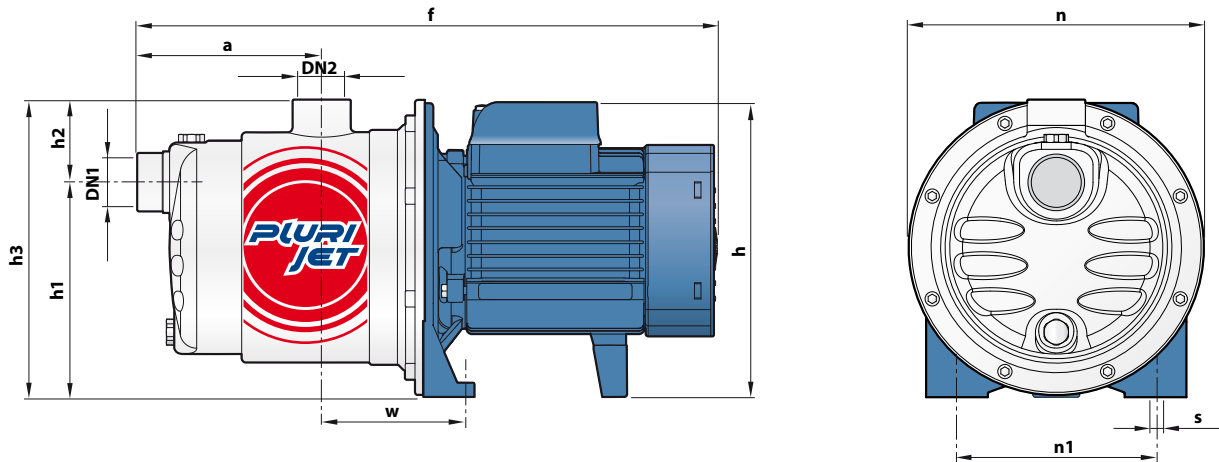


# PLURIJET 60-80-100

POS.	COMPONENT	CONSTRUCTION CHARACTERISTICS				
1	<b>PUMP BODY</b>	Stainless steel AISI 304 complete with threaded ports in compliance with ISO 228/1				
2	<b>BODY BACKPLATE</b>	Stainless steel AISI 304				
3	<b>IMPELLERS</b>	Noryl FE1520PW				
4	<b>DIFFUSERS</b>	Noryl complete with anti-wear ring				
5	<b>MOTOR SHAFT</b>	Stainless steel EN 10088-3 - 1.4104				
6	<b>MECHANICAL SEAL</b>	<i>Seal Model</i>	<i>Shaft Diameter</i>	<i>Stationary ring</i>	<i>Rotational ring</i>	<i>Elastomer</i>
		AR-13	Ø 13 mm	Ceramic	Graphite	NBR
7	<b>BEARINGS</b>	<i>Pump</i>	<i>Model</i>			
		PLURIJET 3/60, 3/80, 3/100, 4/80-N	6202 ZZ - C3 / 6201 ZZ			
		PLURIJET 4/100-N	6203 ZZ / 6203 ZZ			
8	<b>CAPACITOR</b>	<i>Pump</i>	<i>Capacitance</i>			
		<i>Single-phase</i>	<i>(230 V or 240 V)</i>	<i>(110 V)</i>		
		PLURIJETm 3/60-N	10 µF - 450 VL	25 µF - 250 VL		
		PLURIJETm 3/80-N	12.5 µF - 450 VL	25 µF - 250 VL		
		PLURIJETm 4/80, 3/100-N	14 µF - 450 VL	25 µF - 250 VL		
		PLURIJETm 4/100-N	20 µF - 450 VL	60 µF - 300 VL		
9	<b>ELECTRIC MOTOR</b>	<p><b>PLURIJETm:</b> single-phase 230 V - 50 Hz with thermal overload protector incorporated into the winding.</p> <p><b>PLURIJET:</b> three-phase 230/400 V - 50 Hz.</p> <p>⇒ <b>The three-phase pumps are fitted with high performance motors in class IE2 (IEC 60034-30)</b></p> <ul style="list-style-type: none"> <li>- Insulation: class F</li> <li>- Protection: IP X4</li> </ul>				



## DIMENSIONS AND WEIGHT



MODEL		PORTS		DIMENSIONS mm										kg	
Single-phase	Three-phase	DN1	DN2	a	f	h	h1	h2	h3	n	n1	w	s	1~	3~
PLURIJETm 3/60 -N	PLURIJET 3/60 -N	1"	1"	113	361	182	132	51	183	182	120	87	9	6.5	6.5
PLURIJETm 3/80 -N	PLURIJET 3/80 -N			138	386									7.3	7.2
PLURIJETm 4/80 -N	PLURIJET 4/80 -N			113	361									8.6	7.8
PLURIJETm 3/100 -N	PLURIJET 3/100 -N			138	411	7.9								7.1	
PLURIJETm 4/100 -N	PLURIJET 4/100 -N			10	10.6	10.6									

## ABSORPTION

MODEL	VOLTAGE		
	230 V	240 V	110 V
Single-phase	230 V	240 V	110 V
PLURIJETm 3/60 -N	2.4 A	2.3 A	4.8 A
PLURIJETm 3/80 -N	3.3 A	3.1 A	6.6 A
PLURIJETm 4/80 -N	4.1 A	4.0 A	8.2 A
PLURIJETm 3/100 -N	4.1 A	4.0 A	8.2 A
PLURIJETm 4/100 -N	6.0 A	5.8 A	12.0 A

MODEL	VOLTAGE					
	230 V	400 V	690 V	240 V	415 V	720 V
Three-phase	230 V	400 V	690 V	240 V	415 V	720 V
PLURIJET 3/60 -N	1.7 A	1.0 A	0.6 A	1.6 A	0.9 A	0.5 A
PLURIJET 3/80 -N	2.5 A	1.5 A	0.9 A	2.4 A	1.4 A	0.8 A
PLURIJET 4/80 -N	3.4 A	2.0 A	1.2 A	3.3 A	1.9 A	1.1 A
PLURIJET 3/100 -N	3.4 A	2.0 A	1.2 A	3.3 A	1.9 A	1.1 A
PLURIJET 4/100 -N	4.5 A	2.6 A	1.5 A	4.3 A	2.5 A	1.4 A

## PALLETIZATION

MODEL		GROUPAGE	CONTAINER
Single-phase	Three-phase	n. pumps	n. pumps
PLURIJETm 3/60 -N	PLURIJET 3/60 -N	84	120
PLURIJETm 3/80 -N	PLURIJET 3/80 -N	84	120
PLURIJETm 4/80 -N	PLURIJET 4/80 -N	72	96
PLURIJETm 3/100 -N	PLURIJET 3/100 -N	84	120
PLURIJETm 4/100 -N	PLURIJET 4/100 -N	72	96