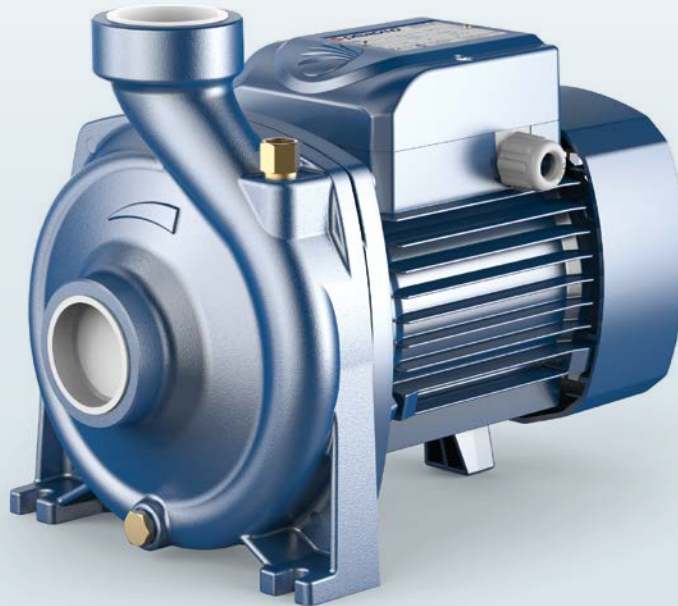


## Centrifugal pumps

▮▮▮ Medium flow

-  Clean water
-  Agricultural use
-  Industrial use



### PERFORMANCE RANGE

- Flow rate up to **600 l/min** (36 m<sup>3</sup>/h)
- Head up to **39 m**

### APPLICATION LIMITS

- Manometric suction lift up to **7 m**
- Liquid temperature between **-10 °C** and **+90 °C**
- Ambient temperature up to **+40 °C**
- Max. working pressure:
  - **6 bar** for HF 5-50-51
  - **10 bar** for HF 5M-70
- Continuous service **S1**

### CONSTRUCTION AND SAFETY STANDARDS

EN 60335-1  
IEC 60335-1  
CEI 61-150

EN 60034-1  
IEC 60034-1  
CEI 2-3



EU REGULATION N. 547/2012

### INSTALLATION AND USE

Suitable for use in civil and agricultural applications. The high efficiency and continuous duty capabilities makes these pumps ideal for use in applications such as flood and spray irrigation, drawing water from lakes, rivers and wells, or for any number of different industrial applications where the characteristics of high flow rates and mid to low head are required.

The pump should be installed in an enclosed environment or sheltered from inclement weather.

### OPTIONS AVAILABLE ON REQUEST

- Special mechanical seal
- Other voltages or 60 Hz frequency
- IP X5 class protection for HF 5M-70

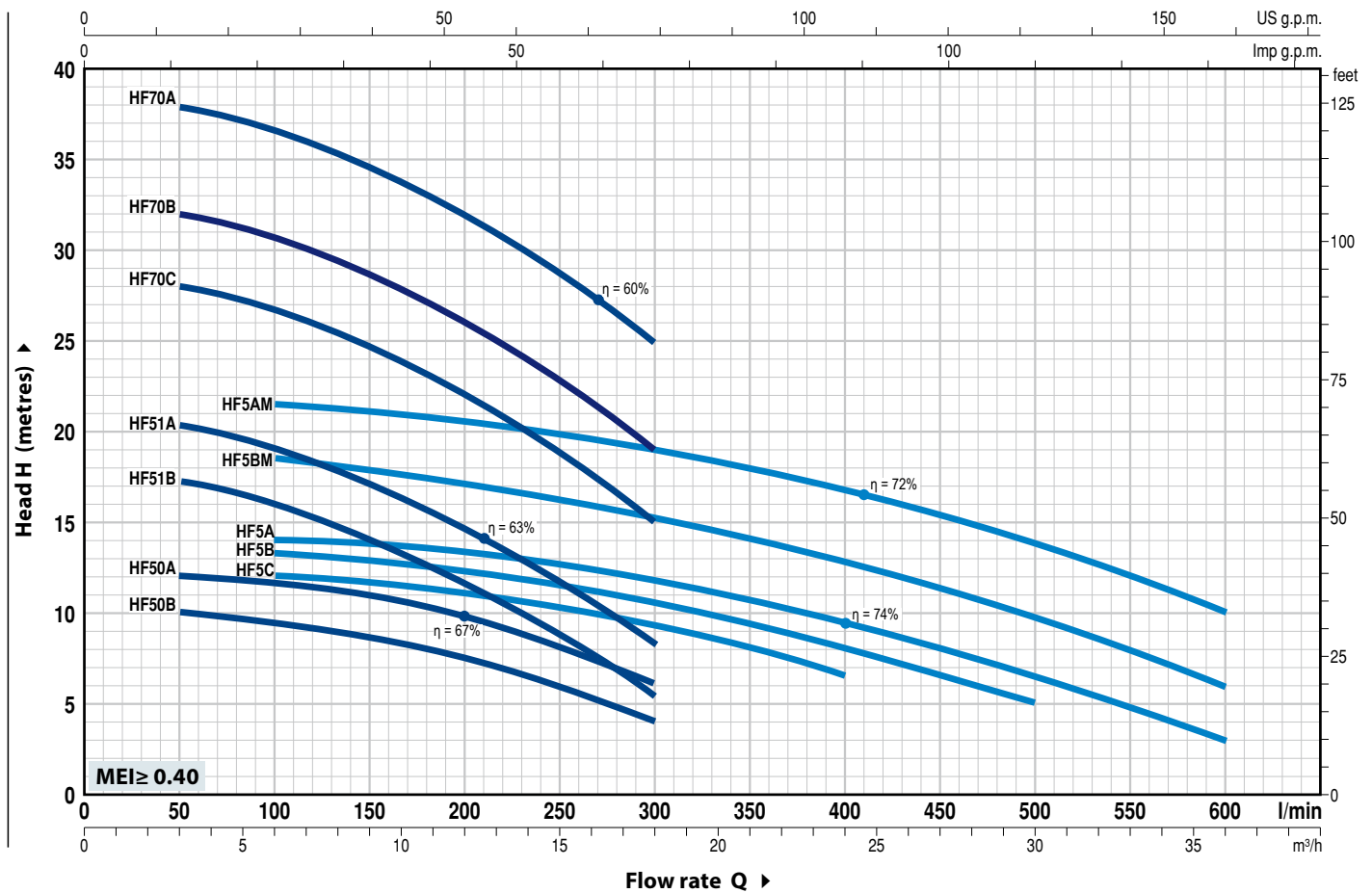
### CERTIFICATIONS

Company with management system certified DNV  
ISO 9001: QUALITY  
ISO 14001: ENVIRONMENT AND SAFETY



### CHARACTERISTIC CURVES AND PERFORMANCE DATA

50 Hz n= 2900 rpm HS= 0 m



MODEL		POWER (P <sub>2</sub> )		Q	H metres												
Single-phase	Three-phase	kW	HP		▲	0	3	6	9	12	15	18	21	24	30	36	
					0	50	100	150	200	250	300	350	400	500	600		
HFm 50B	HF 50B	0.37	0.50	IE2	10	10	9.5	8.5	7.5	6	4						
HFm 50A	HF 50A	0.55	0.75		12	12	11.5	11	9.6	8	6						
HFm 51B	HF 51B	0.60	0.85	IE2	18.2	17.2	16	14	11.5	9	5.4						
HFm 51A	HF 51A	0.75	1		21.2	20.2	19	17	14.5	11.6	8.4						
HFm 70C	HF 70C	1.1	1.5	IE2	29	28	26.5	24.5	22	18.5	15						
HFm 70B	HF 70B	1.5	2		33	32	30.5	28.5	26	22.5	19						
-	HF 70A	2.2	3	IE3	39	38	36.5	34.5	32	28.5	25						
HFm 5C	HF 5C	0.55	0.75		12.5	-	12	11.7	11	10.2	9.2	8	6.5				
HFm 5B	HF 5B	0.75	1	IE2	13.7	-	13.2	13	12.5	11.6	10.5	9.2	8	5			
HFm 5A	HF 5A	1.1	1.5		14.5	-	13.8	13.5	13.2	12.6	11.8	10.5	9.2	6.5	3		
HFm 5BM	HF 5BM	1.1	1.5	IE2	19	-	18.5	18	17	16	15.2	14	12.8	9.7	6		
HFm 5AM	HF 5AM	1.5	2		22	-	21.5	21	20.5	19.8	19	18	16.8	13.8	10		

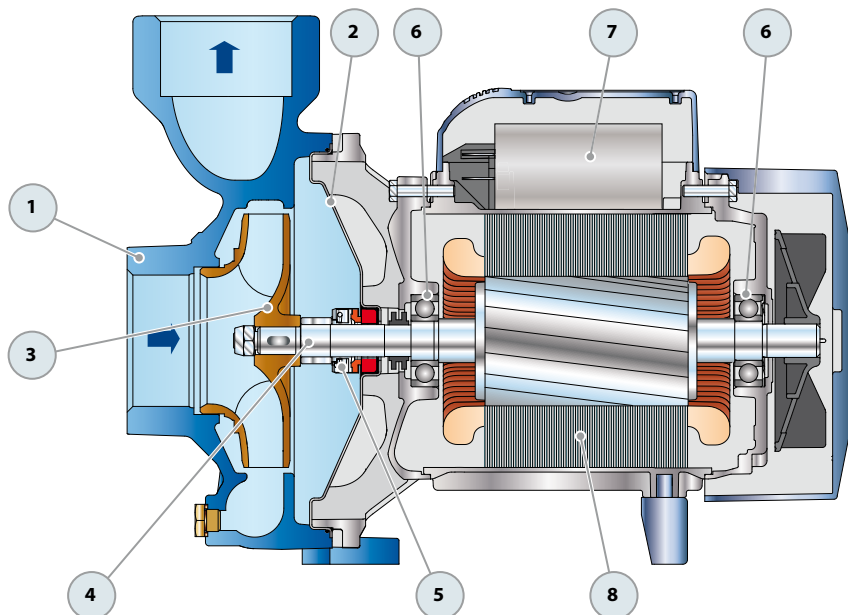
Q = Flow rate H = Total manometric head HS = Suction height

Tolerance of characteristic curves in compliance with EN ISO 9906 Grade 3B.

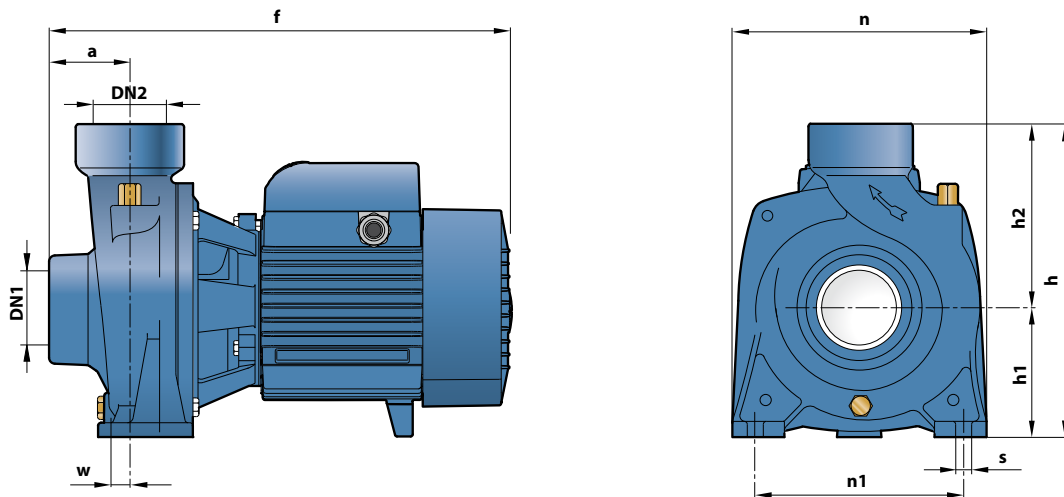
▲ Performance class of the three-phase motor (IEC-60034-30)

## POS. COMPONENT CONSTRUCTION CHARACTERISTICS

1	<b>PUMP BODY</b>	Cast iron complete with threaded ports in compliance with ISO 228/1					
2	<b>BODY BACKPLATE</b>	Stainless steel AISI 304 (cast iron for HF 5M-70)					
3	<b>IMPELLER</b>	Brass					
4	<b>MOTOR SHAFT</b>	Stainless steel EN 10088-3 - 1.4104					
5	<b>MECHANICAL SEAL</b>	<i>Pump</i>	<i>Seal</i>	<i>Shaft</i>	<i>Materials</i>		
		<i>Model</i>	<i>Model</i>	<i>Diameter</i>	<i>Stationary ring</i>	<i>Rotational ring</i>	<i>Elastomer</i>
		<b>HF 50</b>	<b>AR-12</b>	<b>Ø 12 mm</b>	Ceramic	Graphite	NBR
		<b>HF 5-51</b>	<b>AR-14</b>	<b>Ø 14 mm</b>	Ceramic	Graphite	NBR
		<b>HF 5M-70</b>	<b>FN-18</b>	<b>Ø 18 mm</b>	Graphite	Ceramic	NBR
6	<b>BEARINGS</b>	<i>Pump</i>	<i>Model</i>				
		<b>HF 50</b>	<b>6201 ZZ / 6201 ZZ</b>				
		<b>HF 5-51</b>	<b>6203 ZZ / 6203 ZZ</b>				
		<b>HF 5M-70</b>	<b>6204 ZZ / 6204 ZZ</b>				
7	<b>CAPACITOR</b>	<i>Pump</i>	<i>Capacitance</i>				
		<i>Single-phase</i>	<i>(230 V or 240 V)</i>	<i>(110 V)</i>			
		<b>HFm 50B</b>	<b>10 µF - 450 VL</b>	<b>25 µF - 250 VL</b>			
		<b>HFm 50A</b>	<b>14 µF - 450 VL</b>	<b>25 µF - 250 VL</b>			
		<b>HFm 51B</b>	<b>20 µF - 450 VL</b>	<b>60 µF - 300 VL</b>			
		<b>HFm 51A</b>	<b>20 µF - 450 VL</b>	<b>60 µF - 300 VL</b>			
		<b>HFm 70C</b>	<b>25 µF - 450 VL</b>	<b>60 µF - 250 VL</b>			
		<b>HFm 70B</b>	<b>45 µF - 450 VL</b>	<b>60 µF - 250 VL</b>			
		<b>HFm 5C</b>	<b>16 µF - 450 VL</b>	<b>60 µF - 300 VL</b>			
		<b>HFm 5B</b>	<b>20 µF - 450 VL</b>	<b>60 µF - 300 VL</b>			
		<b>HFm 5A</b>	<b>25 µF - 450 VL</b>	<b>60 µF - 300 VL</b>			
		<b>HFm 5BM</b>	<b>25 µF - 450 VL</b>	<b>60 µF - 250 VL</b>			
<b>HFm 5AM</b>	<b>45 µF - 450 VL</b>	<b>80 µF - 250 VL</b>					
8	<b>ELECTRIC MOTOR</b>	<b>HFm:</b> single-phase 230 V - 50 Hz with thermal overload protector incorporated into the winding.					
		<b>HF:</b> three-phase 230/400 V - 50 Hz.					
		⇒ <b>The three-phase pumps are fitted with high performance motors up to P2=1.1kW in class IE2 and from P2=1.5kW in class IE3 (IEC 60034-30)</b>					
		- Insulation: class F - Protection: IP X4					



## DIMENSIONS AND WEIGHT



MODEL		PORTS		DIMENSIONS mm									kg		
Single-phase	Three-phase	DN1	DN2	a	f	h	h1	h2	n	n1	w	s	1~	3~	
HFm 50B	HF 50B	1½"	1½"	42	265	200	82	118	166	135	-3	10	8.3	7.8	
HFm 50A	HF 50A												9.2	8.5	
HFm 51B	HF 51B			45	300	225	92	133	190	160	4		12.9	11.9	
HFm 51A	HF 51A												13.0	12.0	
HFm 70C	HF 70C			48.5	373	269	114	155	216	171	12		12	19.0	18.6
HFm 70B	HF 70B													21.8	20.5
-	HF 70A													-	21.9
HFm 5C	HF 5C	2"	2"	43	316	238	97	141	192	160	-68	10	14.5	13.3	
HFm 5B	HF 5B												14.5	13.3	
HFm 5A	HF 5A			59	386	260	110	150	208	12.5	11	15.3	14.9		
HFm 5BM	HF 5BM											20.1	19.2		
HFm 5AM	HF 5AM											21.5	20.8		

## ABSORPTION

MODEL	VOLTAGE		
	230 V	240 V	110 V
Single-phase	230 V	240 V	110 V
HFm 50B	2.8 A	2.6 A	5.6 A
HFm 50A	3.5 A	3.4 A	7.6 A
HFm 51B	4.7 A	4.6 A	9.2 A
HFm 51A	5.6 A	5.3 A	11.2 A
HFm 70C	8.0 A	7.6 A	16.0 A
HFm 70B	10.0 A	9.0 A	20.0 A
HFm 5C	4.2 A	3.8 A	8.4 A
HFm 5B	4.9 A	4.5 A	10.0 A
HFm 5A	6.2 A	5.7 A	12.5 A
HFm 5BM	7.7 A	7.1 A	14.8 A
HFm 5AM	10.1 A	9.7 A	20.5 A

MODEL	VOLTAGE					
	230 V	400 V	690 V	240 V	415 V	720 V
Three-phase	230 V	400 V	690 V	240 V	415 V	720 V
HF 50B	2.1 A	1.2 A	0.7 A	2.0 A	1.1 A	0.6 A
HF 50A	3.0 A	1.7 A	1.0 A	2.9 A	1.6 A	0.9 A
HF 51B	3.6 A	2.1 A	1.2 A	3.5 A	2.0 A	1.1 A
HF 51A	4.4 A	2.5 A	1.5 A	4.0 A	2.3 A	1.3 A
HF 70C	5.7 A	3.3 A	1.9 A	5.5 A	3.2 A	1.8 A
HF 70B	7.4 A	4.3 A	2.5 A	7.1 A	4.1 A	2.4 A
HF 70A	9.5 A	5.5 A	3.2 A	9.1 A	5.3 A	3.1 A
HF 5C	3.5 A	2.0 A	1.15 A	3.3 A	1.9 A	1.1 A
HF 5B	3.6 A	2.1 A	1.2 A	3.5 A	2.0 A	1.1 A
HF 5A	5.0 A	2.9 A	1.7 A	4.8 A	2.8 A	1.6 A
HF 5BM	5.7 A	3.3 A	1.9 A	5.5 A	3.2 A	1.8 A
HF 5AM	7.1 A	4.1 A	2.4 A	6.5 A	3.7 A	2.1 A